

ALUMINIUM LADDER



OLIVIA

LEG. DECREE 81/2008



On request only for Leg. Decree 81/2008

COMPLIANT WITH LEG. DECREE 81/2008 Art. 113



Straight ladder

Simple straight ladder in light aluminium and with ideal handling for industrial use. Great for construction, agriculture and warehouses.

Features:

- 67x25 mm rectangular side rails
- Load bearing capacity 150 kg
- Non-slip caps at side rail ends
- **Compliant with Leg. Decree 81/2008**

OLIVIA RUNGS

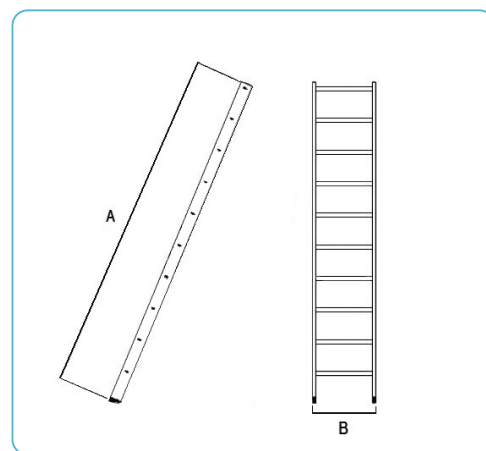
- 30x30 mm non-slip rungs
- Rungs fixed to the side rails with an expansion system and edging
- 300 mm spacing

OLIVIA STEPS

- 80x30 mm non-slip rungs
- Steps fixed to the side rails with an expansion system and edging
- 250 mm spacing
- Inclination 70°



- **Optional articulated shoes**
- **CODE: MP02ZPC**
- ✓ **Price each € 16.50**

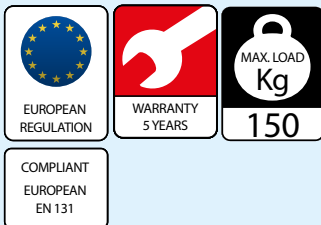


OLIVIA RUNGS

CODE	A(m)	B(m)	N. Gr.	Kg	M ³	PRICES
A02A300	2,85	0,407	9	5,00	0,09	€ 119,50
A02A350	3,35	0,407	11	6,00	0,10	€ 140,50
A02A400	3,85	0,407	13	7,00	0,11	€ 159,00
A02A450	4,35	0,407	14	8,00	0,13	€ 178,00
A02A500	4,85	0,407	16	8,50	0,14	€ 196,50
A02A550	5,35	0,407	18	9,50	0,16	€ 272,00
A02A600	6,00	0,407	19	10,50	0,17	€ 296,50

OLIVIA STEPS

CODE	A(m)	B(m)	N. Gr.	Kg	M ³	PRICES
A02AP300	2,92	0,41	11	6,50	0,09	€ 180,50
A02AP350	3,42	0,41	13	7,60	0,10	€ 210,00
A02AP400	3,92	0,41	15	8,70	0,11	€ 239,00
A02AP450	4,42	0,41	17	9,80	0,13	€ 271,00
A02AP500	4,92	0,41	19	10,60	0,14	€ 300,00
A02AP550	5,42	0,41	21	11,90	0,16	€ 411,50
A02AP600	6,00	0,41	23	13,00	0,17	€ 450,50



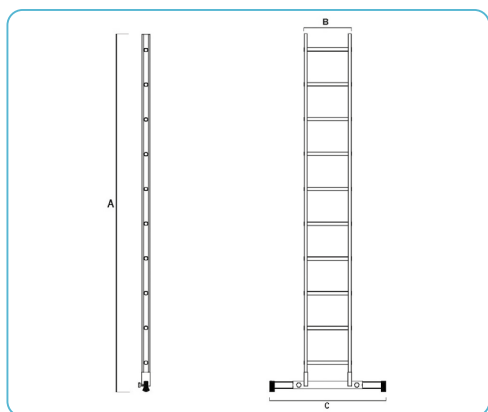
OLIVIA EN 131



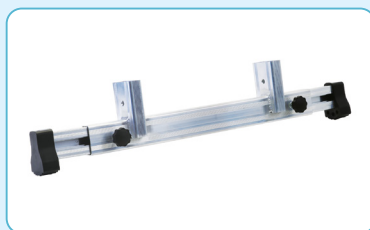
• **Optional Handrail**

✓ Price each:

- CODE: A50CORR67065
0.65 m = € 24.00
- CODE: A50CORR67100
1.00 m = € 35.50
- CODE: A50CORR67250
2.50 m = € 87.50

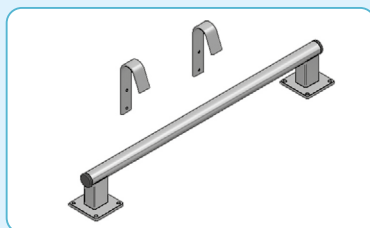


- **CERTIFIED BY TÜV Rheinland:**
telescopic spreader in basic aluminium mandatory for models starting from 3000 mm



• **Telescopic spreader in aluminium**

- width ~ min. 700 mm
- width ~ max. 1000 mm
- CODE: ALFONEW1000
- ✓ Price € 73.00



• **Anchoring kit**

- Including:
- 1 anchoring tube
ø 30 mm, length ~ 700 mm
- 2 x hooks for 30 mm tube
- CODE: KIT
- ✓ Price each € 203.50



	CODE	A(m)	B(m)	C(m)	N. Gr.	Kg	M ³	PRICES
Mandatory spreader	A02AEN200	2,00	0,41		6	3,50	0,06	€ 80,50
	A02AEN250	2,50	0,41		8	4,50	0,07	€ 100,00
	A02AEN300	3,00	0,41	0,67	9	6,60	0,20	€ 192,00
	A02AEN350	3,50	0,41	0,67	11	7,60	0,23	€ 213,00
	A02AEN400	4,00	0,41	0,67	13	8,80	0,27	€ 232,00
	A02AEN450	4,50	0,41	0,67	14	9,80	0,30	€ 250,50
	A02AEN500	5,00	0,41	0,67	16	10,30	0,34	€ 269,00
	A02AEN550	5,50	0,41	0,67	18	11,30	0,37	€ 344,50

	CODE	A(m)	B(m)	C(m)	N. Gr.	Kg	M ³	PRICES
Mandatory spreader	A02AP200	2,00	0,407		7	4,30	0,06	€ 121,00
	A02AP250	2,50	0,407		9	5,40	0,07	€ 150,50
	A02APEN300	3,00	0,407	0,67	11	8,10	0,20	€ 253,00
	A02APEN350	3,50	0,407	0,67	13	9,20	0,23	€ 282,50
	A02APEN400	4,00	0,407	0,67	15	10,50	0,27	€ 311,50
	A02APEN450	4,50	0,407	0,67	17	11,60	0,30	€ 343,50
	A02APEN500	5,00	0,407	0,67	19	12,40	0,34	€ 372,50
	A02APEN550	5,50	0,407	0,67	21	13,70	0,37	€ 484,00

OLIVIA RUNGS

OLIVIA STEPS

ALUMINIUM LADDER

COMPACT



COMPLIANT
EUROPEAN
EN 131/6



Telescopic ladder:

Telescopic ladder in anodised aluminium, designed for professional use, can also be used at home for "DIY" projects.

It has a wide telescopic climbing section made up of rectangular rungs with a 3.81 cm support that allows the operator to work in comfort and safely.

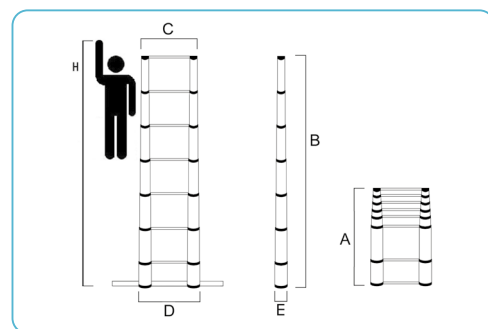
It has safety buttons for quick and cushioned closing of the ladder and an integrated spreader. Thanks to its compactness, it can be stored anywhere.

It is built in compliance with the European Regulation UNI EN 131/6: 2019 and it complies with the requirements of Leg. Decree 81/2008.

- European Standard UNI EN 131/6



- Closed compact



CODE	A(m)	B(m)	C(m)	D(m)	E(m)	N. Gr.	Kg	M ³	PRICE
A20COMPACT	0,91	3,8	0,85	0,47	0,06	13	13,8	0,06	€ 330,00



Type Approved
Safety
Regular Production
Surveillance
www.tuv.com
ID: 111294764



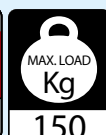
ITALIAN
REGULATION



EUROPEAN
REGULATION



WARRANTY
5 YEARS



MAX. LOAD
Kg
150

COMPLIANT
WITH LEG. DECREE
81/2008 Art. 113

COMPLIANT
EUROPEAN
EN 131

Double-sided folding ladder with flat steps:

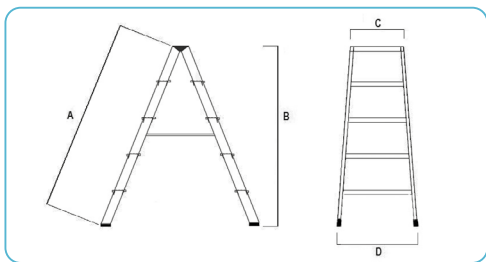
Double-sided folding ladder, industrial, very robust and, thanks to the comfortable steps, it is suitable for extended work.

Features:

- 70x20 mm rectangular side rails
- 80x30 mm non-slip flat steps
- Steps fixed to the side rails with an expansion system and edging
- 250 mm spacing
- Opening arrest belt
- Non-slip caps at side rail ends
- Load bearing capacity 150 kg
- **CERTIFIED BY TÜV Rheinland**
- **Compliant with Leg. Decree 81/2008** (2-3 steps)



The special aluminium fusion binds the steps to the side rails and transforms them into a supporting surface



CODE	A(m)	B(m)	C(m)	D(m)	N. Gr.	Kg	M ³	PRICES
A04ANPP050	0,55	0,54	0,34	0,360	2	3,10	0,03	€ 90,50
A04ANPP075	0,85	0,84	0,34	0,390	3	4,00	0,05	€ 105,50
A04ANPP100	1,01	0,94	0,34	0,466	4	5,70	0,07	€ 169,00
A04ANPP125	1,26	1,19	0,34	0,491	5	6,90	0,09	€ 199,50
A04ANPP150	1,51	1,44	0,34	0,516	6	8,50	0,11	€ 233,00
A04ANPP175	1,76	1,69	0,34	0,541	7	10,10	0,13	€ 266,50
A04ANPP200	2,01	1,94	0,34	0,566	8	11,00	0,16	€ 300,00
A04ANPP225	2,26	2,19	0,34	0,591	9	12,60	0,19	€ 334,50
A04ANPP250	2,51	2,44	0,34	0,616	10	14,30	0,22	€ 356,00
A04ANPP275	2,76	2,69	0,34	0,641	11	15,50	0,25	€ 399,50
A04ANPP300	3,01	2,94	0,34	0,666	12	17,70	0,28	€ 438,00
A04ANPP325	3,26	3,19	0,34	0,691	13	20,70	0,32	€ 470,00
A04ANPP350	3,51	3,44	0,34	0,716	14	21,50	0,35	€ 504,50

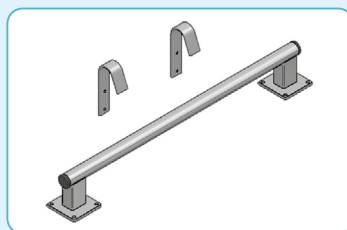


COMPLIANT
WITH LEG. DECREE
81/2008 Art. 113



Floating ladder:

Aluminium straight ladder with handrail, great for mezzanines, attic walls, attics etc.



- **Anchoring kit** (on request) Including:
 - 1 anchoring tube \varnothing 30 mm, length ~ 700 mm
 - 2 hooks for tube 30 mm, code: KIT
- Price each € 203.50



- **Optional articulated shoe**
- CODE: MP02ZPC
- ✓ Price each € 16.50

Features:

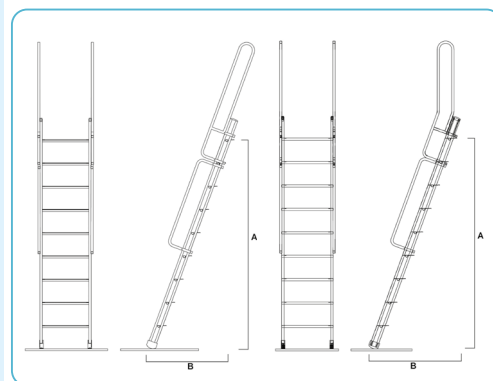
- 84x25 mm rectangular side rails
- External width 550mm
- 130 mm non-slip flat steps fixed to the side rails with an expansion system and edging
- 250 mm spacing
- Inclination 70°
- Non-slip caps at side rail ends
- Handrail:
 - exit (C) m 1 straight
 - exit (C) m 1 inclined
 - 0.665 m (D) / 1.00 m (E) / 2.50 m (F)
- Load bearing capacity 150 kg
- **Compliant with Leg. Decree 81/2008**

HANDRAIL (Price each):

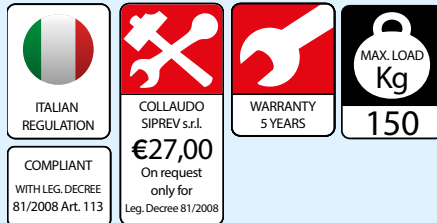
- 0.65 m = € 24.00
- CODE: A50CORR065 (D)
- 1.00 m = € 35.50
- CODE: A50CORR100 (E)
- 2.50 m = € 87.50
- CODE: A50CORR250 (F)

EXIT HANDRAILS (C):

- Straight = € 73.00
- CODE: A50CORRD
- Inclined = € 80.50
- CODE: A50CORRI



Total length LADDER (m)	A(m)	B(m)	N. Gr.	COMP.NE	Kg	M ³	MOD. CON:		STRAIGHT HANDRAIL		INCLINED HANDRAIL	
							CODE	PRICES	CODE	PRICES		
1,66	1,50	0,71	6	C+D	10,50	0,14	A02GD150	€ 349,00	A02GI150	€ 363,00		
1,93	1,75	0,80	7	C+D	12,60	0,16	A02GD175	€ 375,50	A02GI175	€ 390,00		
2,20	2,00	0,89	8	C+E	13,60	0,18	A02GD200	€ 423,00	A02GI200	€ 438,00		
2,45	2,25	0,98	9	C+D+D	14,90	0,20	A02GD225	€ 470,00	A02GI225	€ 484,00		
2,72	2,50	1,07	10	C+D+D	15,90	0,23	A02GD250	€ 496,00	A02GI250	€ 510,50		
2,99	2,75	1,16	11	C+D+E	18,90	0,25	A02GD275	€ 544,50	A02GI275	€ 559,50		
3,25	3,00	1,25	12	C+E+E	19,90	0,27	A02GD300	€ 591,50	A02GI300	€ 606,50		
3,52	3,25	1,34	13	C+F	21,20	0,29	A02GD325	€ 652,50	A02GI325	€ 667,50		
3,79	3,50	1,43	14	C+F	22,40	0,31	A02GD350	€ 677,50	A02GI350	€ 692,00		
4,05	3,75	1,52	15	C+D+F	23,40	0,34	A02GD375	€ 748,00	A02GI375	€ 762,50		
4,32	4,00	1,61	16	C+D+F	24,40	0,35	A02GD400	€ 774,50	A02GI400	€ 789,50		

**Attic ladder:**

Aluminium straight ladder with handrail, excellent for attics, made as per customer specifications.

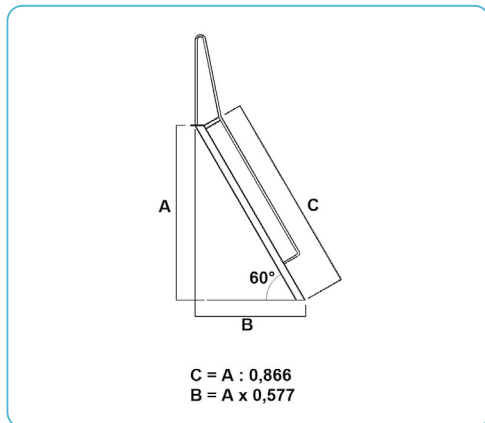
Features:

- 84x25 mm rectangular side rails
- 130 mm non-slip flat steps (60° inclination)
- 200 mm non-slip flat steps (45° inclination)
- 250 mm spacing
- 25x25x2 mm square tube handrail
- External width 500 mm
- For fixing, hole or hook plates will be applied (on request)
- Descent guardrails 1.00 m
- Load bearing capacity 150 kg
- **Compliant with Leg. Decree 81/2008**

✓ **The price is to be calculated on the length of "C"**

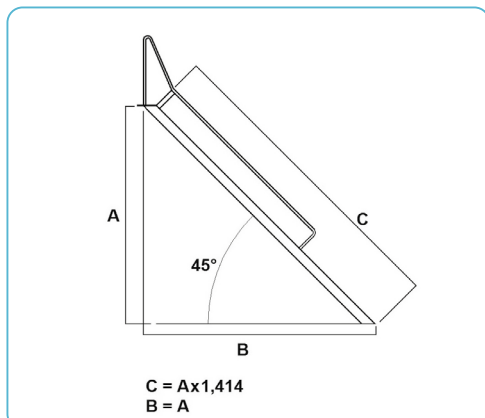


- **Optional articulated shoe**
- **CODE: MP02ZPC**
- ✓ **Price each € 16.50**



✓ **price per metre 60°: € 428.50**

■ **CODE: A53SOPP_60**



✓ **price per metre 45°: € 552.50**

■ **CODE: A53SOPP_45**





COMPLIANT
EUROPEAN
EN 131



Folding ladder:

Industrial-style folding ladder, also suitable for domestic use, non-slip steps, automatically swinging platform and safety guardrail.

Features:

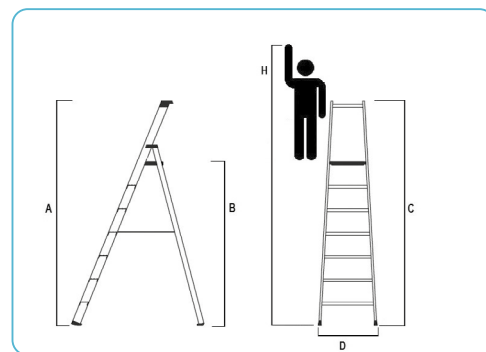
- 70x20 mm rectangular side rails
- 80x30 non-slip flat steps
- Steps fixed to the side rails with an expansion system and edging
- 250 mm spacing
- ABS platform, 275x260 mm
- ABS tool tray in ABS
- Non-slip caps at side rail ends
- Load bearing capacity 150 kg
- **CERTIFIED BY TÜV Rheinland**



- **Polypropylene platform with safety stopper**

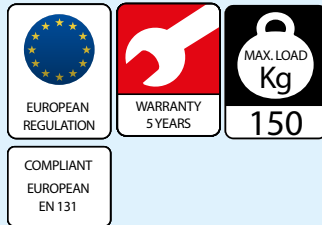


- **Handrail:**
- made of 25 x25 mm square aluminium tubing 77 cm (on request)
- **CODE: A50CORR67065**
- ✓ **Price each € 24.00**



CODE	A(m)	B(m)	C(m)	D(m)	H(m)	N. Gr. *	Kg	M ³	PRICES
A07IS150	1,28	0,66	1,36	0,434	2,66	3	5,00	0,08	€ 141,50
A07IS175	1,51	0,89	1,61	0,459	2,89	4	5,90	0,10	€ 157,50
A07IS200	1,74	1,12	1,86	0,484	3,12	5	6,80	0,13	€ 174,50
A07IS225	1,97	1,35	2,11	0,509	3,35	6	7,66	0,15	€ 188,00
A07IS250	2,20	1,58	2,36	0,534	3,58	7	8,68	0,18	€ 214,00
A07IS275	2,43	1,81	2,61	0,559	3,81	8	9,50	0,20	€ 235,50
A07IS300	2,66	2,04	2,86	0,584	4,04	9	11,60	0,23	€ 302,50
A07IS325	2,89	2,27	3,11	0,609	4,27	10	12,50	0,27	€ 407,00
A07IS350	3,12	2,50	3,36	0,634	4,50	11	13,90	0,30	€ 442,00
A07IS375	3,35	2,73	3,61	0,659	4,73	12	14,90	0,33	€ 472,00

* The number of steps includes the platform



- **Oversized step** of 130 mm



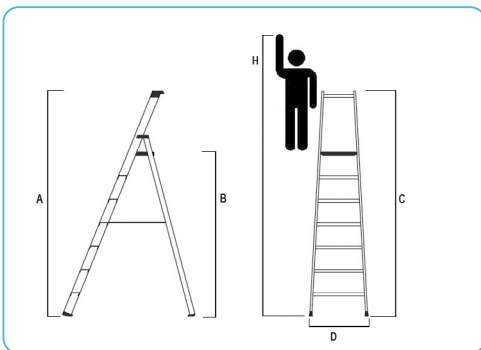
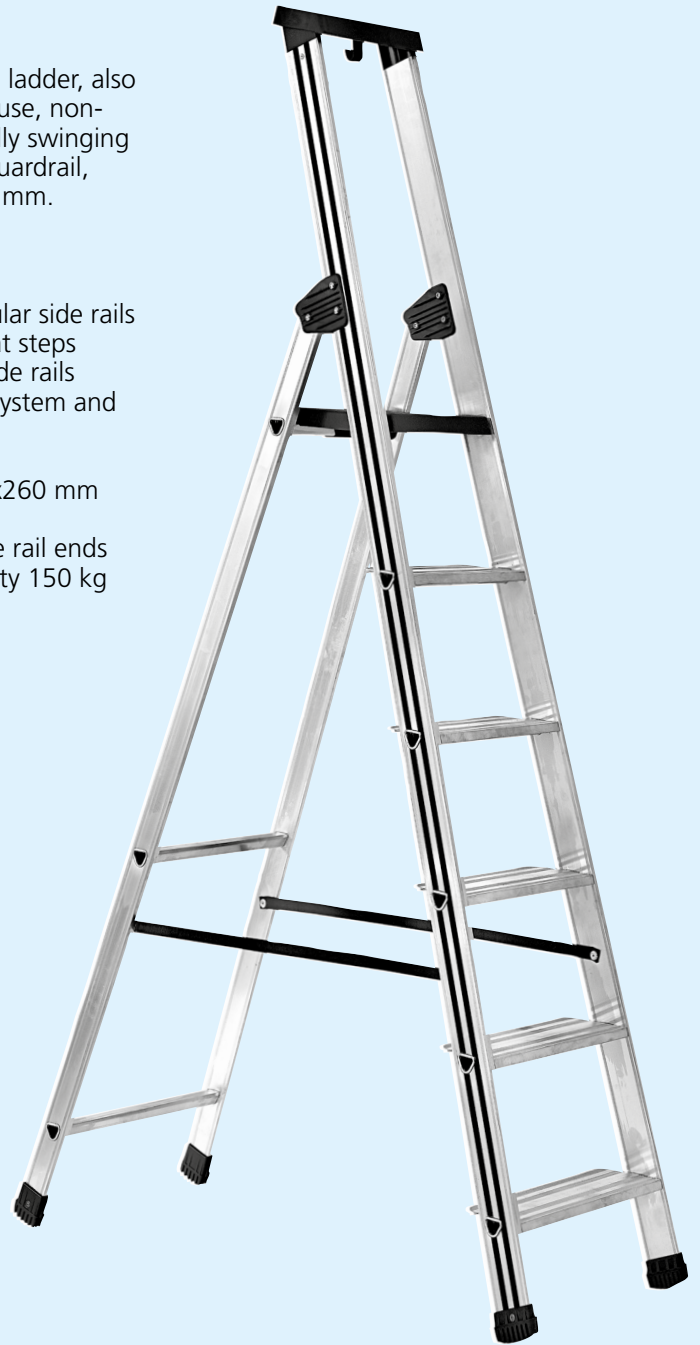
- **Handrail**
- Made of 25x25 mm square aluminium tubing 77 cm (on request)
- **CODE: A50CORR67065**
- ✓ **Price each € 24.00**

Folding ladder:

Industrial-type folding ladder, also suitable for domestic use, non-slip steps, automatically swinging platform and safety guardrail, oversized step of 130 mm.

Features:

- 70x20 mm rectangular side rails
- 130 mm non-slip flat steps
- Steps fixed to the side rails with an expansion system and edging
- 250 mm spacing
- ABS platform, 275x260 mm
- ABS tool tray
- Non-slip caps at side rail ends
- Load bearing capacity 150 kg
- **CERTIFIED BY TÜV Rheinland**



CODE	A(m)	B(m)	C(m)	D(m)	H(m)	N. Gr. *	Kg	M ³	PRICES
A07SUP150	1,28	0,66	1,36	0,434	2,66	3	5,26	0,08	€ 178,00
A07SUP175	1,51	0,89	1,61	0,459	2,89	4	5,96	0,10	€ 201,50
A07SUP200	1,74	1,12	1,86	0,484	3,12	5	7,12	0,13	€ 223,00
A07SUP225	1,97	1,35	2,11	0,509	3,35	6	8,46	0,15	€ 240,00
A07SUP250	2,20	1,58	2,36	0,534	3,58	7	9,78	0,18	€ 274,00
A07SUP275	2,43	1,81	2,61	0,559	3,81	8	11,00	0,20	€ 301,00
A07SUP300	2,66	2,04	2,86	0,584	4,04	9	13,30	0,23	€ 330,00
A07SUP325	2,89	2,27	3,11	0,609	4,27	10	14,66	0,27	€ 450,50
A07SUP350	3,12	2,50	3,36	0,634	4,50	11	16,00	0,30	€ 492,00
A07SUP375	3,35	2,73	3,61	0,659	4,73	12	17,70	0,33	€ 530,50

*The number of steps includes the platform

UNIVERSAL CLICK CLAK

With automatic hinge



COMPLIANT
EUROPEAN
EN 131



Type Approved
Safety
Regular Production
Surveillance
www.tuv.com
ID 111234685



Telescopic ladder:

It is a multi-purpose ladder, professional, already supplied with spreader, ideal for extended use and it can be used:

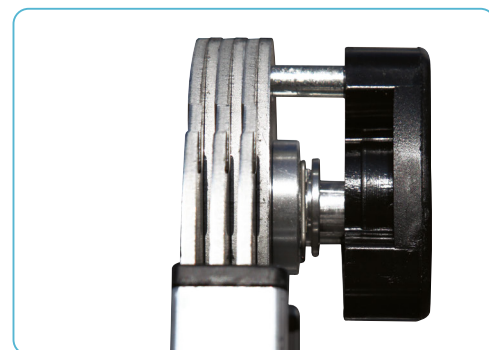
- Leaned against wall
- Double-sided
- Level difference adapter (adaptable to 2 different floor levels)

Features:

- 68x25 mm top side rail
- 77x26 mm section C bottom side rail
- 30x30x1.3 mm external rung steps
CODE: MAG3013U
- 30x30x1.3 mm non-slip external rung steps
CODE: MAG3013ES
- 300 mm spacing - Lamellar hinge fixed to the side rails by punching
- Nylon step strap
- Non-slip caps at side rail ends
- Load bearing capacity 150 kg
- **CERTIFIED BY TÜV Rheinland**

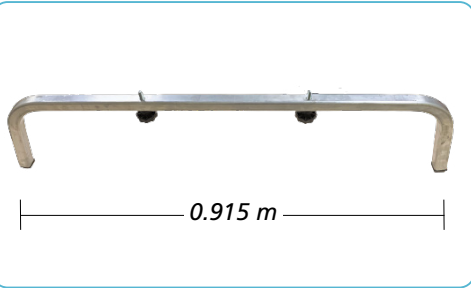
New automatic hinge

Multi-position automatic hinge ladder that facilitates use.



- **It will reach the maximum opening:**
 - Hinge to be pulled out until it locks
 - Double-sided
 - leaned on wall

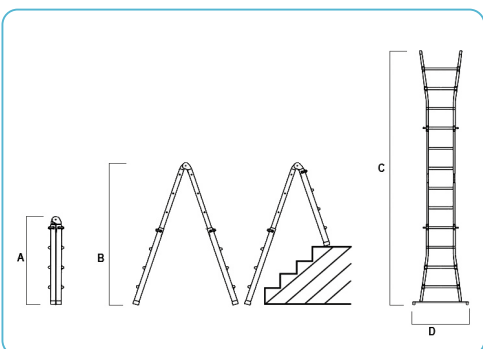
CODE	A(m)	B(m)	C(m)	D(m)	N. Gr.	Kg	M ³	PRICES
A20UNINKA	0,99	1,55	3,08	0,915	3X4	10,00	0,11	€ 294,50
A20UNINKB	1,29	2,05	4,28	0,915	4X4	12,70	0,19	€ 326,00
A20UNINKC	1,59	2,65	5,48	0,915	5X4	15,40	0,23	€ 398,00
A20UNINKD	1,89	2,95	6,08	0,915	6X4	17,90	0,29	€ 489,50



- Stabiliser
- CODE: STABIUNI
- ✓ Price: € 22.00



- Accessory for level differences:
- Up to 300 mm
- CODE: A20UNIZOP
- ✓ Price per pair: € 87.50



UNIVERSAL EN 131



COMPLIANT
EUROPEAN
EN 131



Type Approved
Safety
Regular Production
Surveillance
www.tuv.com
ID 1111294685



Telescopic ladder:

It is a multi-purpose ladder, professional, already supplied with spreader, ideal for extended use and it can be used:

- Leaned against wall
- Double-sided
- Level difference adapter (adaptable to 2 different floor levels)

Features:

- 68x25 mm top side rail
- 77x26 mm section C bottom side rail
- 30x30x1.3 mm non-slip external rung steps
CODE: MAG3013U
- 30x30x1.3 mm non-slip external rung steps
CODE: MAG3013S
- 300 mm spacing
- Lamellar hinge fixed to the side rails by punching
- Non-slip caps at side rail ends
- Load bearing capacity 150 kg
- **CERTIFIED BY TÜV Rheinland**

Optional:

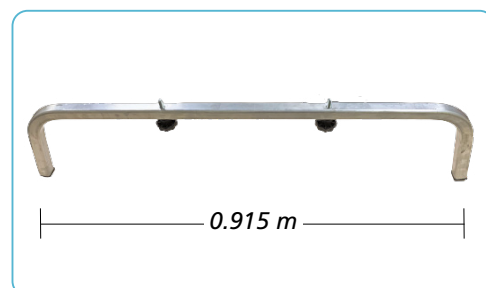
- Accessory for level differences



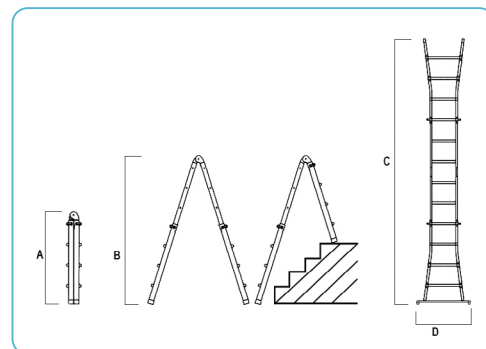
- **Optional accessory for level differences:**
Up to 300 mm
■ *CODE: A20UNIZOP*
✓ Price per pair: € 87.50



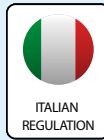
- **Hinge detail**



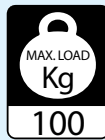
- **Stabiliser**
■ *CODE: STABIUNI*
✓ Price: € 22.00



CODE	A(m)	B(m)	C(m)	D(m)	N. Gr.	Kg	M ³	PRICES
A20UNINA	0,99	1,55	3,08	0,915	3X4	9,60	0,11	€ 265,00
A20UNINB	1,29	2,05	4,28	0,915	4X4	12,4	0,19	€ 296,50
A20UNINC	1,59	2,65	5,48	0,915	5X4	14,9	0,23	€ 371,00
A20UNIND	1,89	2,95	6,08	0,915	6X4	17,2	0,29	€ 465,00



COMPLIANT
WITH LEG. DECREE
81/2008 Art. 113



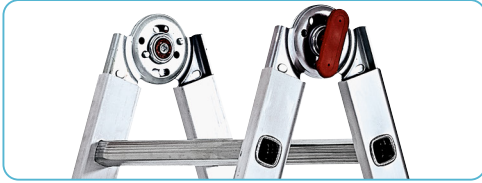
Telescopic ladder:

It is an all-purpose aluminium ladder and it can be used:

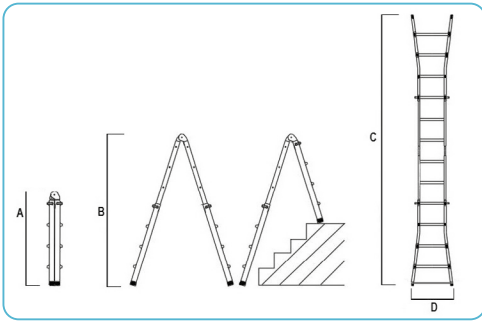
- Leaned against wall
- Double-sided
- Level difference adapter (adaptable to 2 different floor levels)

Features:

- 50x20 mm top side rail
 - 65x25 mm bottom side rail
 - 27x27 non-slip rungs
 - 270 mm spacing
 - Steel hinge
 - Non-slip caps at side rail ends
 - Load bearing capacity 100 kg
- It is built in compliance with the European Regulation UNI EN 131-6: 2019 Kg
- **Compliant with Leg. Decree 81/2008**



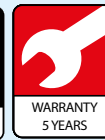
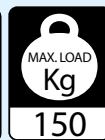
- Steel hinge



CODE	A(m)	B(m)	C(m)	D(m)	N. Gr.	Kg	M ³	PRICES
A20NR	1,20	1,88	3,90	0,500	4X2 4X2	8,50	0,12	€ 173,50



COMPLIANT
EUROPEAN
EN 131



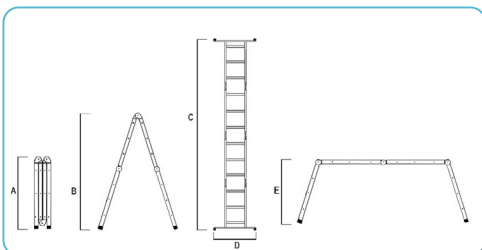
Telescopic ladder:

It is an all-purpose aluminium ladder and it can be used:

- Leaned against wall
- Double-sided
- Level difference adapter (adaptable to 2 different floor levels)
- As a bridge
- Load bearing capacity 150 kg
- **European Regulation UNI EN 131**
- In the "workbench" position, its load bearing capacity is 120 kg and it cannot be used as scaffolding



- Steel hinge



CODE	A(m)	B(m)	C(m)	D(m)	E(m)	N. Gr.	Kg	M ³	PRICES
FUTURA	0,96	1,71	3,50	0,800	0,940	4X3	12,00	0,09	€ 203,50

ALUMINIUM LADDER

EUROPE 2 sections



COMPLIANT
EUROPEAN
EN 131



Type Approved
Safety
Regular Production
Surveillance
www.tuv.com
ID 1111294762



- Aluminium casting for the fly section



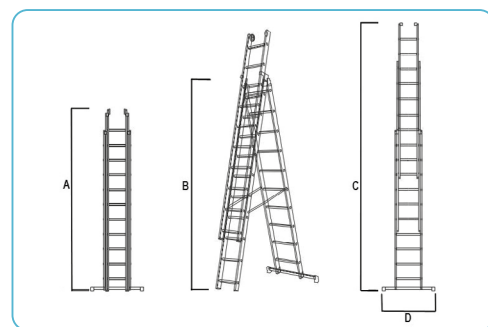
Multipurpose ladder:

Extremely versatile ladder that allows use as:

- Leaned against wall
 - Double-sided
(it is forbidden to use the third section for climbing; the latter must be used exclusively as a guardrail)
- Among industrial ladders, it is undoubtedly the one that meets most of the different needs of use that may arise.

Features:

- Rest step only for the 3 sections ladder
- Rectangle side rails:
 - 67x25 mm (for 2.00 m and 2.50 m)
 - 84x25 mm (for 3.00 m)
 - 102x25 mm (for 3.50 m to 4.50 m)
- Maximum width 460 mm
- 30x30 non-slip rungs
- Steps fixed to the side rails with an expansion system and edging
- 300 mm spacing
- Extension arrest device starting from the 2nd section
- Max. overlap limit device
- Accidental spread arrester belt
- Telescopic stabiliser bar
- Non-slip caps at side rail ends
- Third section on sliding wheels (starting from 3.00 m)
- Load bearing capacity 150 kg
- **CERTIFIED BY TÜV Rheinland**



CODE EUROPE 2 SECTIONS	A(m)	B(m)	C(m)	D(mm/kg)	N. Gr.	Kg	M ³	PRICE
A09A2200	1,98	1,90	2,85	750-2,00	6X2	11,24	0,11	€ 278,00
A09A2250	2,57	2,48	4,12	850-2,20	8X2	13,84	0,14	€ 329,00
A09A2300	3,17	3,08	5,32	950-2,30	10X2	17,10	0,20	€ 403,00
A09A2350	3,48	3,40	5,86	990-2,42	11X2	20,60	0,27	€ 470,00
A09A2400	4,06	4,00	7,34	1100-2,64	13X2	24,76	0,32	€ 525,00
A09A2450	4,40	4,30	7,70	1200-3,00	14X2	27,00	0,34	€ 574,00

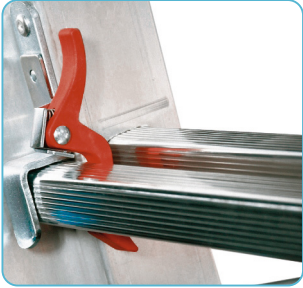


Type Approved
Safety
Regular Production
Surveillance
www.tuv.com
ID 1111294762

EUROPE

3 sections

With patented rest step



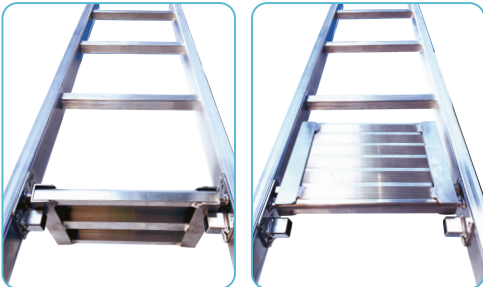
- Accidental extension arrester
- CODE: MS04COMP
- ✓ Price: € 16.50



- Third section on sliding wheels (starting from 3.00 m)



- Rest step
- PATENT PENDING
- no. 10202000011077



- Rest step open/closed



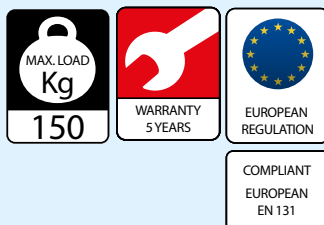
- Max overlap limit for the last section



	CODE EUROPE 3 SECTIONS	A(m)	B(m)	C(m)	D(mm/kg)	N. Gr.	Kg	M ³	PRICE
With rest step	A09A3200	1,98	1,90	3,80	750-2,00	6X3	15,20	0,16	€ 458,00
	A09A3250	2,57	2,48	5,60	850-2,20	8X3	16,90	0,21	€ 488,50
	A09A3300	3,17	3,08	7,40	950-2,30	10X3	24,10	0,29	€ 593,00
	A09A3350	3,48	3,40	8,30	990-2,42	11X3	29,00	0,38	€ 663,00
	A09A3400	4,06	4,00	10,10	1100-2,64	13X3	33,30	0,45	€ 721,50
	A09A3450	4,40	4,30	11,00	1200-3,00	14X3	38,20	0,49	€ 762,50

ALUMINIUM LADDER

TRIA



Extension ladder:

Industrial ladder in 2/3 sections available with manual pulling.

Features:

- 59x25 mm rectangular side rails
59X25 mm 69x25 mm 85x25 mm 102x25 mm
- 39x28 mm non-slip triangular rungs
- Rungs fixed to the side rails with an expansion system and edging
- 300 mm spacing
- Accidental extension arrester
- Telescopic stabiliser at the base
- Load bearing capacity 150 kg
- **CERTIFIED BY TÜV Rheinland**

On request:

- Supplement with rope
- ✓ Price: € € 98.00

CODE TRIA 2 SECTIONS	A(m)	B(m)	C(m)	N. Gr.	Kg	M ³	PRICES
A10059082255	4,05	2,55	min 0,78-max 1,2	8X2	11,01	0,13	€ 283,50
A10069102315	5,25	3,15	min 0,78-max 1,2	10X2	14,78	0,18	€ 334,50
A10069112345	5,85	3,45	min 0,78-max 1,2	11X2	15,99	0,19	€ 381,00
A10069132405	7,05	4,05	min 0,78-max 1,2	13X2	18,40	0,23	€ 413,50
A10100152465	8,25	4,65	min 0,78-max 1,2	15X2	25,58	0,37	€ 607,00
CODE TRIA 3 SECTIONS	A(m)	B(m)	D(mm/kg)	N. Gr.	Kg	M ³	PRICES
A10069083255	5,55	2,55	min 0,78-max 1,2	8X3	17,52	0,2	€ 351,50
A10069103315	7,35	3,15	min 0,78-max 1,2	10X3	21,08	0,26	€ 461,50
A10084113345	8,25	3,45	min 0,78-max 1,2	11X3	23,96	0,32	€ 527,50
A10100133405	10,05	4,05	min 0,78-max 1,2	13X3	27,67	0,39	€ 641,00



- **Telescopic spreader**
width ~ min. 780 mm
width ~ max. 1200 mm
- **CODE: ALTRIA59**
ladder with 59 mm side rails
- ✓ **Price: € 73.00**
- **CODE: ALTRIA69**
ladder with 69 mm side rails
- ✓ **Price: € 73.00**
- **CODE: ALTRIA85**
ladder with 85 mm side rails
- ✓ **Price: € 73.00**
- **CODE: ALTRIA102**
ladder with 102 mm side rails
- ✓ **Price: € 73.00**



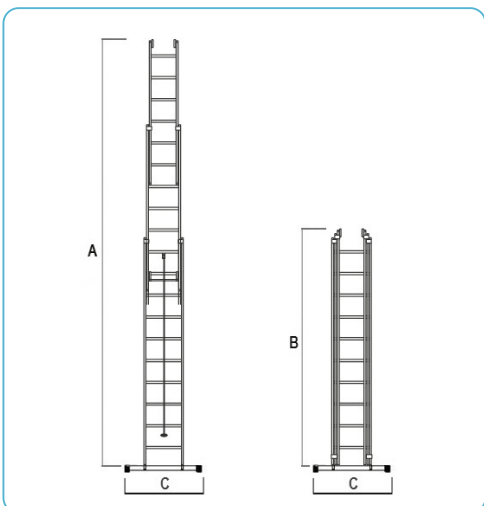
• **Extruded aluminium alloy containment brackets 6005**



- **Rest step** (on request)
only on the 3 section ladder
- **CODE: REST STEP**
- ✓ **Price: € 87.50**



• **Section extension arrester with hook**
■ **CODE: MS04COMPTRIA**
✓ **Price: € 16.50**



• **Detail of the 39x28 triangular edged rung**

ALUMINIUM LADDER

TRIA MULTIPURPOSE



COMPLIANT
EUROPEAN
EN 131



Type Approved
Safety
Regular Production
Surveillance
www.tuv.com
ID 1111294750



Multipurpose ladder:

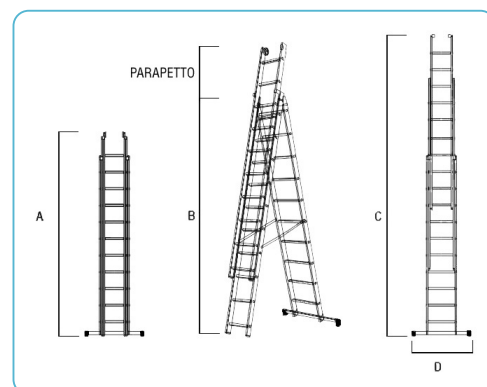
Completely versatile ladder that allows use as:

- Leaned against wall
- Double-sided
(It is forbidden to use the third section for climbing; the latter must only be used as guardrail)

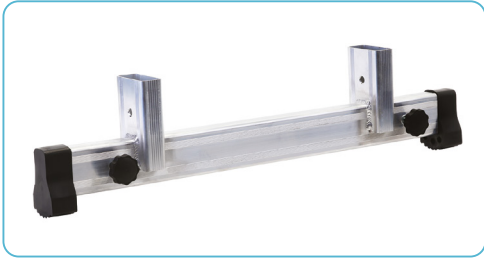
Among industrial ladders, it is undoubtedly the one that meets most of the different needs of use that may arise.

Features:

- Shaped side rails, sizes:
69x25 mm
85x25 mm
- 300 mm spacing
- 39X28 non-slip triangular rungs fixed to the side rails with an expansion system and edging
- Section extension arrester
- Load bearing capacity 150 kg
- Telescopic spreader
- **CERTIFIED BY TÜV Rheinland**



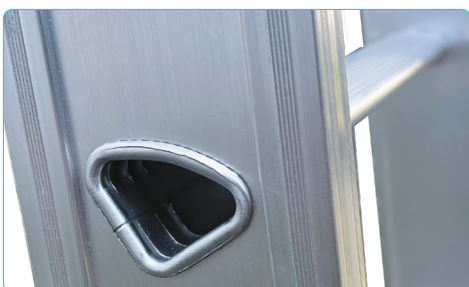
CODE TRIA	A(m)	B(m)	C(m)	D(m)	N. Gr.	Kg	PRICES
1NEX08X3	2,63	3,38	5,92	min 0,78 - max 1,20	8X3	18,20	€ 418,00
1NEX10X3	3,20	3,93	7,70	min 0,78 - max 1,20	10X3	22,71	€ 506,00
1NEX11X3	3,50	4,22	8,30	min 0,78 - max 1,20	11X3	26,00	€ 554,50



- **Telescopic spreader**
width ~ min. 780 mm
width ~ max. 1200 mm
- **CODE: ALTRIA69**
ladder with 69 mm side rails
- ✓ **Price: € 73.00**
- **CODE: ALTRIA85**
ladder with 85 mm side rails
- ✓ **Price: € 73.00**



- **Section extension arrester with hook**
- **CODE: MS04COMPTRIA**
- ✓ **Price: € 16.50**

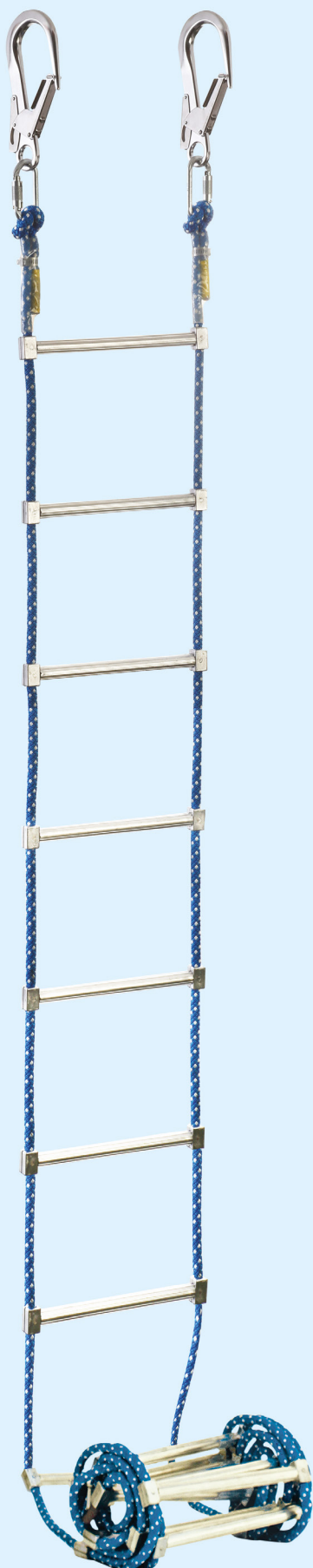


- **Detail of the 39x28 triangular edged rung**





COMPLIANT
WITH LEG. DECREE
81/2008 Art. 113

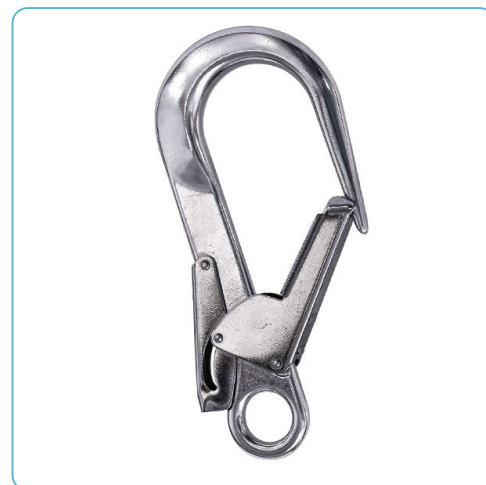


Rope ladder:

Rope ladder built with nylon rope side rails and aluminium non-slip rungs.

Features:

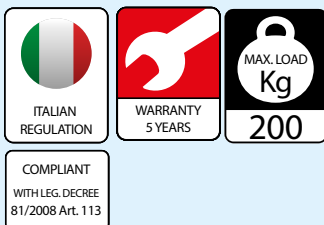
- Ø 16 mm nylon rope side rails
- Ø 25 mm aluminium non-slip rungs
- Aluminium hooks to EN 362
- 300 mm spacing
- External width 350 mm
- Weight per m/kg 1.36
- Load bearing capacity 100 kg
- **Compliant with Leg. Decree 81/2008**



- Aluminium hooks
- CODE: GACN
- ✓ Price per pair: € 153.00



- Rung coupling casting
- CODE: A15CN
- ✓ price per metre: €69.00



Outdoor ladder

Features:

- 90x25 mm rectangular side rails
- 200 mm flat steps in lightweight perforated bearing filtering profile 250 mm spacing with inclination at 60°
- 200 mm spacing with inclination at 45°
- 2 fixing plates for good anchoring
- One-sided handrail in round profile 40 mm
- Second handrail on request
- Internal width 600/800 mm
- Load bearing capacity 200.00 kg
- **Compliant with Leg. Decree 81/2008**

Optional:

- Exit platforms complete with guardrails and toeboard usually 1.00 m

- **600x800 mm**

- **CODE: A19SEP6080**

- ✓ **Price each: € 593.00**

Weight of each: 17.00 Kg

- **800x800 mm**

- **CODE: A19SEP8080**

- ✓ **Price each: € 797.50**

Weight of each: 20.00 Kg

- Support ledges for landing surfaces

- **600x800 mm**

- **CODE: A19SESTA60**

- ✓ **Price per pair: € 538.50**

Weight of each: 4.50 Kg

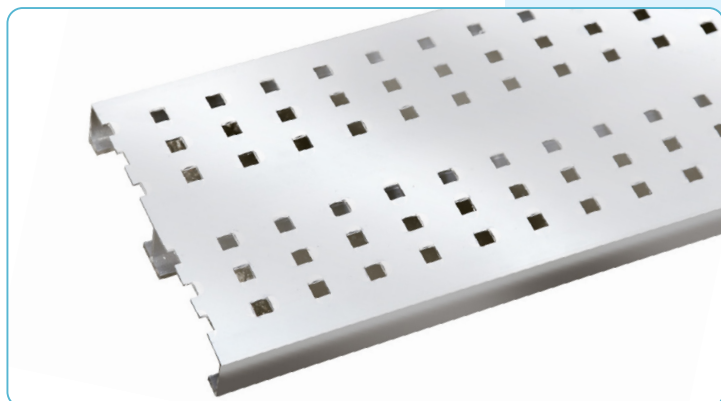
- **800x800 mm**

- **CODE: A19SESTA80**

- ✓ **Price per pair: € 726.00**

Weight of each: 5.50 Kg

Optional exit platform



- **Perforated step**

- 200 mm (on request)



- **Striped step**

- 200 mm (on request)



WIDTH 600 mm

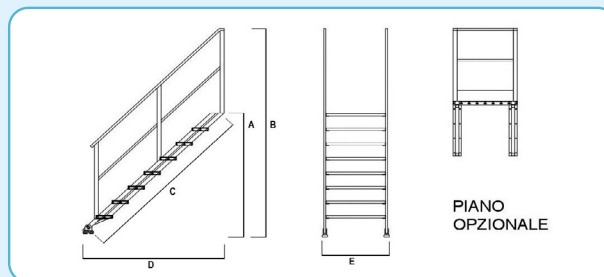
INCLINATION 45°											
CODE 1 CORR.	CODE 2 CORR.	A(m)	B(m)	C(m)	D(m)	E(m)	Gr.	KG 1 CORR.	KG 2 CORR.	CON 1 CORR.	CON 2 CORR.
A19SE4560060	A19SED4560060	0,60	1,60	0,85	0,60	0,60	2	10,00	12,00	€ 801,00	€ 961,50
A19SE4560080	A19SED4560080	0,80	1,80	1,13	0,80	0,60	3	12,00	14,40	€ 907,50	€ 1.094,00
A19SE4560100	A19SED4560100	1,00	2,00	1,41	1,00	0,60	4	14,00	16,80	€ 1.008,50	€ 1.210,00
A19SE4560120	A19SED4560120	1,20	2,20	1,70	1,20	0,60	5	16,00	19,20	€ 1.105,50	€ 1.329,00
A19SE4560140	A19SED4560140	1,40	2,40	1,98	1,40	0,60	6	18,00	21,60	€ 1.226,00	€ 1.474,00
A19SE4560160	A19SED4560160	1,60	2,60	2,26	1,60	0,60	7	20,00	24,00	€ 1.349,50	€ 1.687,50
A19SE4560180	A19SED4560180	1,80	2,80	2,55	1,80	0,60	8	22,00	26,40	€ 1.474,00	€ 1.836,00
A19SE4560200	A19SED4560200	2,00	3,00	2,83	2,00	0,60	9	24,00	28,80	€ 1.596,50	€ 1.982,50
A19SE4560220	A19SED4560220	2,20	3,20	3,11	2,20	0,60	10	26,00	31,20	€ 1.723,00	€ 2.133,50
A19SE4560240	A19SED4560240	2,40	3,40	3,39	2,40	0,60	11	28,00	33,60	€ 1.843,50	€ 2.279,00
A19SE4560260	A19SED4560260	2,60	3,60	3,68	2,60	0,60	12	30,00	36,00	€ 1.992,00	€ 2.507,00
A19SE4560280	A19SED4560280	2,80	3,80	3,96	2,80	0,60	13	32,00	38,40	€ 2.139,50	€ 2.672,00
A19SE4560300	A19SED4560300	3,00	4,00	4,24	3,00	0,60	14	34,00	40,80	€ 2.289,50	€ 2.853,50
A19SE4560320	A19SED4560320	3,20	4,20	4,53	3,20	0,60	15	36,00	43,20	€ 2.435,50	€ 3.025,00
A19SE4560340	A19SED4560340	3,40	4,40	4,81	3,40	0,60	16	38,00	45,60	€ 2.582,50	€ 3.189,50
A19SE4560360	A19SED4560360	3,60	4,60	5,09	3,60	0,60	17	40,00	48,00	€ 2.730,50	€ 3.352,00
A19SE4560380	A19SED4560380	3,80	4,80	5,37	3,80	0,60	18	42,00	50,40	€ 2.853,50	€ 3.565,50

INCLINATION 60°

CODE. 1 CORR.	CODE 2 CORR.	A(m)	B(m)	C(m)	D(m)	E(m)	N. Gr.	KG 1 CORR.	KG 2 CORR.	CON 1 CORR.	CON 2 CORR.
A19SE6060075	A19SED6060075	0,75	1,75	0,87	0,43	0,60	2	9,50	11,4	€ 734,00	€ 895,00
A19SE6060100	A19SED6060100	1,00	2,00	1,16	0,57	0,60	3	11,50	13,8	€ 799,00	€ 985,50
A19SE6060125	A19SED6060125	1,25	2,25	1,16	0,72	0,60	4	13,50	16,2	€ 892,50	€ 1.094,00
A19SE6060150	A19SED6060150	1,50	2,50	1,44	0,87	0,60	5	15,50	18,6	€ 985,50	€ 1.208,50
A19SE6060175	A19SED6060175	1,75	2,75	1,73	1,01	0,60	6	17,50	21	€ 1.097,00	€ 1.345,50
A19SE6060200	A19SED6060200	2,00	3,00	2,02	1,15	0,60	7	19,50	23,4	€ 1.234,50	€ 1.573,00
A19SE6060225	A19SED6060225	2,25	3,25	2,31	1,30	0,60	8	21,50	25,8	€ 1.341,00	€ 1.702,50
A19SE6060250	A19SED6060250	2,50	3,50	2,60	1,44	0,60	9	23,50	28,2	€ 1.486,50	€ 1.872,50
A19SE6060275	A19SED6060275	2,75	3,75	2,89	1,58	0,60	10	25,50	30,6	€ 1.597,50	€ 2.009,00
A19SE6060300	A19SED6060300	3,00	4,00	3,18	1,73	0,60	11	27,50	33	€ 1.742,50	€ 2.178,00
A19SE6060325	A19SED6060325	3,25	4,25	3,47	1,87	0,60	12	29,50	35,4	€ 1.886,50	€ 2.402,00
A19SE6060350	A19SED6060350	3,50	4,50	3,76	2,02	0,60	13	31,50	37,8	€ 2.032,00	€ 2.565,00
A19SE6060375	A19SED6060375	3,75	4,75	4,05	2,16	0,60	14	33,50	40,2	€ 2.176,00	€ 2.740,50
A19SE6060400	A19SED6060400	4,00	5,00	4,33	2,30	0,60	15	35,50	42,6	€ 2.319,50	€ 2.909,00
A19SE6060425	A19SED6060425	4,25	5,25	4,62	2,45	0,60	16	37,50	45	€ 2.461,50	€ 3.069,00
A19SE6060450	A19SED6060450	4,50	5,50	4,91	2,59	0,60	17	39,50	47,4	€ 2.605,50	€ 3.227,00
A19SE6060475	A19SED6060475	4,75	5,75	5,20	2,74	0,60	18	41,50	49,8	€ 2.749,50	€ 3.461,00
A19SE6060500	A19SED6060500	5,00	6,00	5,49	2,88	0,60	19	43,50	52,2	€ 2.893,00	€ 3.694,50



Optional exit platform



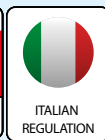
WIDTH mm 800

INCLINATION 45°

CODE. 1 CORR.	CODE. 2 CORR.	A(m)	B(m)	C(m)	D(m)	E(m)	N. Gr.	KG 1 CORR.	KG 2 CORR.	CON 1 CORR.	CON 2 CORR.
A19SE4580060	A19SED4580060	0,60	1,60	0,85	0,60	0,80	2	11	13,20	€ 879,00	€ 1.040,50
A19SE4580080	A19SED4580080	0,80	1,80	1,13	0,80	0,80	3	13	15,60	€ 1.046,00	€ 1.232,00
A19SE4580100	A19SED4580100	1,00	2,00	1,41	1,00	0,80	4	15	18,00	€ 1.131,50	€ 1.334,00
A19SE4580120	A19SED4580120	1,20	2,20	1,70	1,20	0,80	5	17	20,40	€ 1.288,50	€ 1.512,00
A19SE4580140	A19SED4580140	1,40	2,40	1,98	1,40	0,80	6	19	22,80	€ 1.400,50	€ 1.648,50
A19SE4580160	A19SED4580160	1,60	2,60	2,26	1,60	0,80	7	21	25,20	€ 1.573,00	€ 1.911,50
A19SE4580180	A19SED4580180	1,80	2,80	2,55	1,80	0,80	8	23	27,60	€ 1.691,00	€ 2.053,00
A19SE4580200	A19SED4580200	2,00	3,00	2,83	2,00	0,80	9	25	30,00	€ 1.871,50	€ 2.257,00
A19SE4580220	A19SED4580220	2,20	3,20	3,11	2,20	0,80	10	27	32,40	€ 1.936,00	€ 2.347,00
A19SE4580240	A19SED4580240	2,40	3,40	3,39	2,40	0,80	11	29	34,80	€ 2.169,00	€ 2.604,50
A19SE4580260	A19SED4580260	2,60	3,60	3,68	2,60	0,80	12	31	37,20	€ 2.314,00	€ 2.829,50
A19SE4580280	A19SED4580280	2,80	3,80	3,96	2,80	0,80	13	33	39,60	€ 2.460,50	€ 2.993,50
A19SE4580300	A19SED4580300	3,00	4,00	4,24	3,00	0,80	14	35	42,00	€ 2.557,50	€ 3.122,00
A19SE4580320	A19SED4580320	3,20	4,20	4,53	3,20	0,80	15	37	44,40	€ 2.751,00	€ 3.340,00
A19SE4580340	A19SED4580340	3,40	4,40	4,81	3,40	0,80	16	39	46,80	€ 2.800,50	€ 3.407,50
A19SE4580360	A19SED4580360	3,60	4,60	5,09	3,60	0,80	17	41	49,20	€ 3.095,00	€ 3.716,50
A19SE4580380	A19SED4580380	3,80	4,80	5,37	3,80	0,80	18	43	51,60	€ 3.209,50	€ 3.920,50

INCLINATION 60°

CODE. 1 CORR.	CODE. 2 CORR.	A(m)	B(m)	C(m)	D(m)	E(m)	N. Gr.	KG 1 CORR.	KG 2 CORR.	CON 1 CORR.	CON 2 CORR.
A19SE6080075	A19SED6080075	0,75	1,75	0,87	0,43	0,80	2	10,5	12,6	€ 768,50	€ 929,50
A19SE6080100	A19SED6080100	1,00	2,00	1,16	0,57	0,80	3	12,5	15	€ 922,50	€ 1.109,00
A19SE6080125	A19SED6080125	1,25	2,25	1,16	0,72	0,80	4	14,5	17,4	€ 1.011,50	€ 1.213,00
A19SE6080150	A19SED6080150	1,50	2,50	1,44	0,87	0,80	5	16,5	19,8	€ 1.162,00	€ 1.385,50
A19SE6080175	A19SED6080175	1,75	2,75	1,73	1,01	0,80	6	18,5	22,2	€ 1.281,00	€ 1.530,00
A19SE6080200	A19SED6080200	2,00	3,00	2,02	1,15	0,80	7	20,5	24,6	€ 1.448,50	€ 1.786,50
A19SE6080225	A19SED6080225	2,25	3,25	2,31	1,30	0,80	8	22,5	27	€ 1.563,50	€ 1.924,00
A19SE6080250	A19SED6080250	2,50	3,50	2,60	1,44	0,80	9	24,5	29,4	€ 1.740,50	€ 2.126,50
A19SE6080275	A19SED6080275	2,75	3,75	2,89	1,58	0,80	10	26,5	31,8	€ 1.807,00	€ 2.218,00
A19SE6080300	A19SED6080300	3,00	4,00	3,18	1,73	0,80	11	28,5	34,2	€ 1.982,50	€ 2.418,00
A19SE6080325	A19SED6080325	3,25	4,25	3,47	1,87	0,80	12	30,5	36,6	€ 2.178,00	€ 2.694,00
A19SE6080350	A19SED6080350	3,50	4,50	3,76	2,02	0,80	13	32,5	39	€ 2.323,50	€ 2.857,00
A19SE6080375	A19SED6080375	3,75	4,75	4,05	2,16	0,80	14	34,5	41,4	€ 2.528,50	€ 3.093,50
A19SE6080400	A19SED6080400	4,00	5,00	4,33	2,30	0,80	15	36,5	43,8	€ 2.674,00	€ 3.263,50
A19SE6080425	A19SED6080425	4,25	5,25	4,62	2,45	0,80	16	38,5	46,2	€ 2.881,50	€ 3.488,50
A19SE6080450	A19SE6D080450	4,50	5,50	4,91	2,59	0,80	17	40,5	48,6	€ 3.027,00	€ 3.648,00
A19SE6080475	A19SED6080475	4,75	5,75	5,20	2,74	0,80	18	42,5	51	€ 3.138,50	€ 3.850,00
A19SE6080500	A19SED6080500	5,00	6,00	5,49	2,88	0,80	19	44,5	53,4	€ 3.294,00	€ 4.095,00



COMPLIANT
WITH LEG. DECREE
81/2008 Art. 113



Platform ladder:

Fully removable platform ladder for ideal professional use in industrial maintenance, extremely versatile: it can be with front, side or right/left exit.

It is designed with 4 offset wheels, with brake, pivoting, Ø 125 mm, in nylon, for easy handling; on request, it can be supplied with two wheels for wheelbarrow type handling.

The ladder is supplied disassembled to reduce transport costs.

• Optional:

Landing gate with saloon

■ **CODE: CANCARGOS6**

for ladder platforms of
600x800 mm

✓ **Price: € 330.00**

■ **CODE: CANCARGOS8**

for ladder platforms of
800x800 mm

✓ **Price: € 380.00**

Features:

- 90x25 mm rectangular side rails
- 200 mm non-slip Flat steps in striped profile (on request, 200 mm perforated bearing profile)
- 250 mm spacing
- Inclination at 60°
- Internal width 600/800 mm
- Platform floor of non-slip striped profile, 600x800 – 800x800 mm
- 1.00 m guardrail
- 150 mm toeboard
- 2 side stabilisers
- 4 offset wheels with brake, pivoting, Ø125 mm, in nylon, coated in polyurethane foam, with double-pedal braking device
- Handrail in Ø 40 mm round profile
- Load bearing capacity 200 kg

• **Compliant with Leg. Decree 81/2008**

• **The product has been tested in compliance with the standard UNI EN 14122**



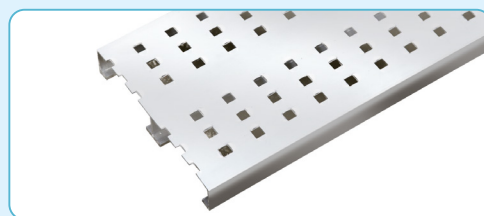
- Aluminium storage tray
600x200
- CODE: A19CA / VA
- ✓ Price: € 102.00



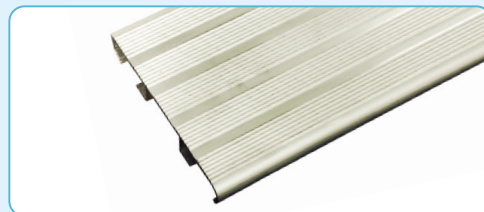
- 4 offset wheels with brake and Ø 125
- CODE: MR12540CH
- ✓ Price: € 41.50



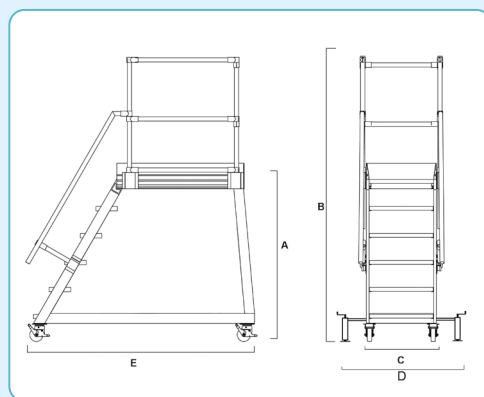
- Screw stabiliser
- CODE: STABCARUOTE
- ✓ Price: € 71.50



- One-way non-slip perforated step
- 200 mm (on request)



- Striped step
- 200 mm



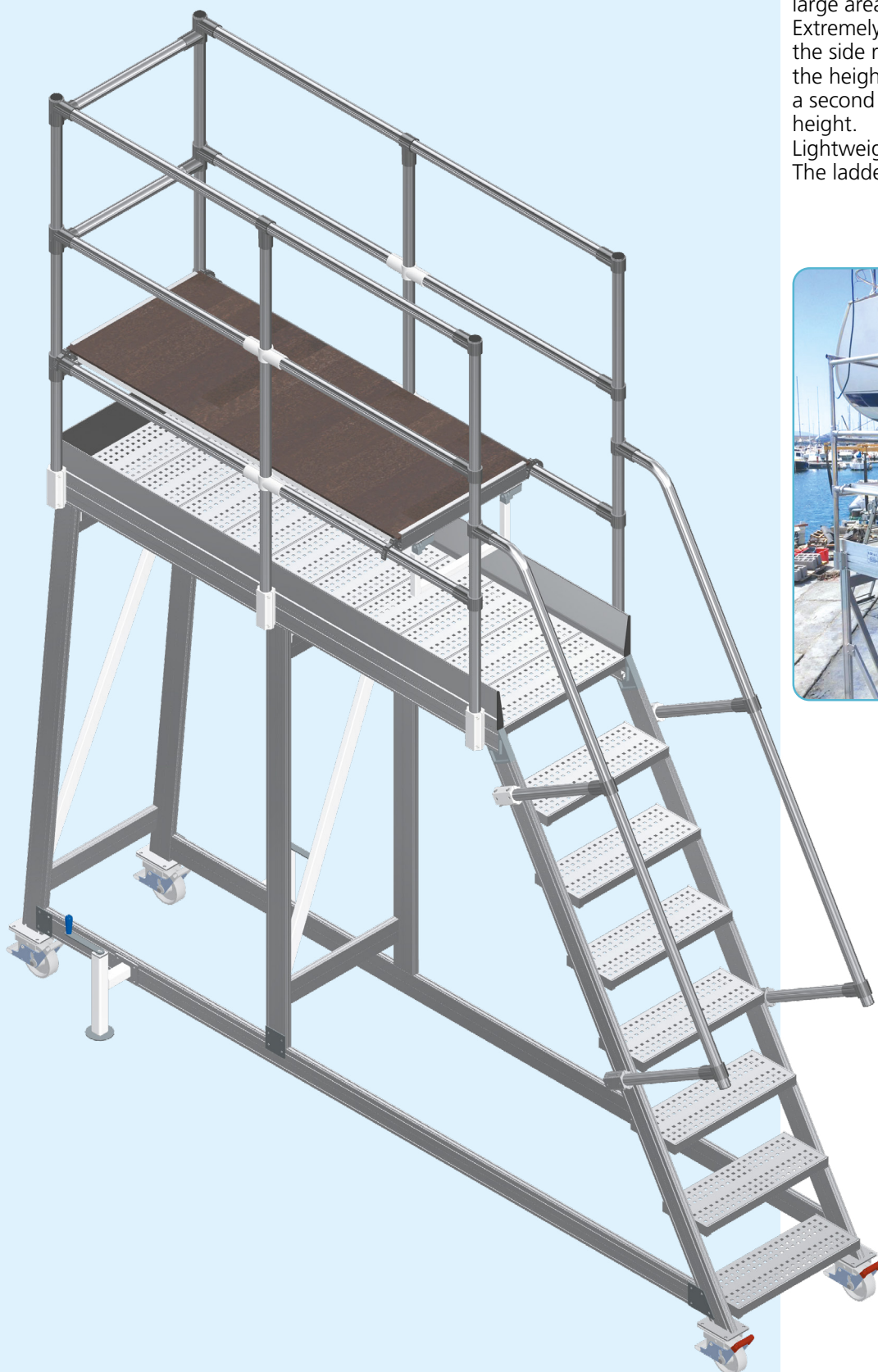
	CODE	A(m)	B(m)	C(m)	D(m)	E(m)	N. Gr.	Kg	PRICE
PLATFORM FLOOR 600X800	A19RCA/64	1,00	2,00	0,60	0,90	1,45	4	48,5	€ 2.154,00
	A19RCA/65	1,25	2,25	0,60	0,90	1,67	5	52,5	€ 2.295,00
	A19RCA/66	1,50	2,50	0,60	0,90	1,81	6	56,5	€ 2.344,50
	A19RCA/67	1,75	2,75	0,60	0,90	1,95	7	60,5	€ 2.742,50
	A19RCA/68	2,00	3,00	0,60	0,90	2,12	8	64,5	€ 2.870,00
	A19RCA/69	2,25	3,25	0,60	0,90	2,80	9	68,5	€ 2.942,50
	A19RCA/610	2,50	3,50	0,60	0,90	2,45	10	72,5	€ 3.299,50
	A19RCA/611	2,75	3,75	0,60	0,90	2,61	11	76,5	€ 3.362,00
	A19RCA/612	3,00	4,00	0,60	0,90	2,78	12	80,5	€ 3.659,50
	A19RCA/613	3,25	4,25	0,60	0,90	2,94	13	84,5	€ 3.906,50

	CODICE	A(m)	B(m)	C(m)	D(m)	E(m)	N. Gr.	Kg	PRICE
PLATFORM FLOOR 800X800	A19RCA/84	1,00	2,00	0,80	1,10	1,45	4	49	€ 2.352,50
	A19RCA/85	1,25	2,25	0,80	1,10	1,62	5	54	€ 2.510,00
	A19RCA/86	1,50	2,50	0,80	1,10	1,80	6	59	€ 2.565,00
	A19RCA/87	1,75	2,75	0,80	1,10	1,95	7	64	€ 3.006,00
	A19RCA/88	2,00	3,00	0,80	1,10	2,12	8	69	€ 3.149,00
	A19RCA/89	2,25	3,25	0,80	1,10	2,28	9	74	€ 3.230,00
	A19RCA/810	2,50	3,50	0,80	1,10	2,45	10	79	€ 3.593,00
	A19RCA/811	2,75	3,75	0,80	1,10	2,61	11	84	€ 3.662,50
	A19RCA/812	3,00	4,00	0,80	1,10	2,78	12	89	€ 3.993,00
	A19RCA/813	3,25	4,25	0,80	1,10	2,94	13	94	€ 4.267,00
	A19RCA/814	3,50	4,50	0,80	1,10	3,11	14	99	€ 4.530,50
	A19RCA/815	3,75	4,75	0,80	1,10	3,27	15	104	€ 4.792,00
	A19RCA/816	4,00	5,00	0,80	1,10	3,44	16	109	€ 5.039,00



€28,00
On request
only for
Leg. Decree 81/2008

COMPLIANT
WITH LEG. DECREE
81/2008 Art. 113



Mobile platform ladder:

Fully removable platform ladder for professional use, ideal for the maintenance of large areas at height.

Extremely versatile: exit at the front, to the side right/left and you can increase the height of the guardrail and can insert a second intermediate worktop raising its height.

Lightweight and safe to move.

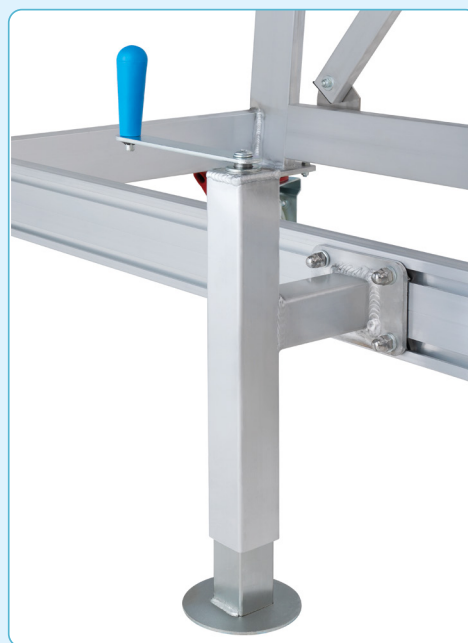
The ladder is shipped disassembled.





Features:

- 90x25 mm rectangular side rails
- 200 mm one-way non-slip perforated profile flat steps
(On request, 200 mm striped load-bearing profile)
- 250 mm spacing
- Inclination at 60°
- Internal width 600/800 mm
- Platform floor of non-slip perforated profile, length:
1000/2000/3000 mm
- 1.00 m guardrail
- 150 mm toeboard
- 4 offset wheels with brake, Ø125 mm, pivoting, nylon coated
in expanded polyurethane with double pedal braking device
- 2 side stabilisers
- Handrail in Ø 40 mm round profile
- Load bearing capacity 200 kg
- **Compliant with Leg. Decree 81/2008**



- **Screw stabiliser**
- **CODE: STABCARUOTE**
- ✓ **Price: € 71.50**

FLOOR H.	WIDTH CODE		PLATFORM LENGTH (m)			
	600	1,00		2,00	3,00	
1,00	A19MA60100/1	€ 2.347,00	A19MA60100/2	€ 2.913,00	A19MA60100/3	€ 3.620,50
1,25	A19MA60125/1	€ 2.484,00	A19MA60125/2	€ 3.050,00	A19MA60125/3	€ 3.757,50
1,50	A19MA60150/1	€ 2.533,50	A19MA60150/2	€ 3.098,00	A19MA60150/3	€ 3.804,00
1,75	A19MA60175/1	€ 2.919,50	A19MA60175/2	€ 3.485,50	A19MA60175/3	€ 4.193,00
2,00	A19MA60200/1	€ 3.044,50	A19MA60200/2	€ 3.610,50	A19MA60200/3	€ 4.317,00
2,25	A19MA60225/1	€ 3.115,50	A19MA60225/2	€ 3.682,00	A19MA60225/3	€ 4.388,00
2,50	A19MA60250/1	€ 3.464,00	A19MA60250/2	€ 4.028,50	A19MA60250/3	€ 4.737,50
2,75	A19MA60275/1	€ 3.503,50	A19MA60275/2	€ 4.089,50	A19MA60275/3	€ 4.777,00
3,00	A19MA60300/1	€ 3.814,00	A19MA60300/2	€ 4.381,00	A19MA60300/3	€ 5.087,50
3,25	A19MA60325/1	€ 4.054,50	A19MA60325/2	€ 4.620,00	A19MA60325/3	€ 5.327,00

FLOOR H.	WIDTH CODE		PLATFORM LENGTH (m)			
	800	1,00		2,00	3,00	
1,00	A19MA80100/1	€ 2.569,50	A19MA80100/2	€ 3.208,50	A19MA80100/3	€ 4.000,50
1,25	A19MA80125/1	€ 2.721,50	A19MA80125/2	€ 3.361,50	A19MA80125/3	€ 4.153,50
1,50	A19MA80150/1	€ 2.777,00	A19MA80150/2	€ 3.414,50	A19MA80150/3	€ 4.206,50
1,75	A19MA80175/1	€ 3.206,50	A19MA80175/2	€ 3.846,50	A19MA80175/3	€ 4.638,50
2,00	A19MA80200/1	€ 3.345,50	A19MA80200/2	€ 3.985,00	A19MA80200/3	€ 4.777,00
2,25	A19MA80225/1	€ 3.424,50	A19MA80225/2	€ 4.064,00	A19MA80225/3	€ 4.856,00
2,50	A19MA80250/1	€ 3.777,00	A19MA80250/2	€ 4.416,00	A19MA80250/3	€ 5.208,00
2,75	A19MA80275/1	€ 3.846,50	A19MA80275/2	€ 4.484,00	A19MA80275/3	€ 5.276,00
3,00	A19MA80300/1	€ 4.167,00	A19MA80300/2	€ 4.806,50	A19MA80300/3	€ 5.598,50
3,25	A19MA80325/1	€ 4.434,50	A19MA80325/2	€ 5.074,00	A19MA80325/3	€ 5.866,00
3,50	A19MA80350/1	€ 4.691,50	A19MA80350/2	€ 5.331,50	A19MA80350/3	€ 6.123,50
3,75	A19MA80375/1	€ 4.945,50	A19MA80375/2	€ 5.584,50	A19MA80375/3	€ 6.376,50
4,00	A19MA80400/1	€ 5.186,50	A19MA80400/2	€ 5.826,50	A19MA80400/3	€ 6.618,50

WALKING SURFACE CODE + GUARDRAIL	LENGTH (m)	PRICES
A19MAPIA100	0,50	€ 1.210,00
A19MAPIA200	1,50	€ 1.408,00
A19MAPIA300	2,50	€ 1.606,00

ALUMINIUM LADDER

LEGO EN 131-7



COMPLIANT
EUROPEAN
EN 131



Type Approved
Safety
Regular Production
Surveillance
www.tuv.com
ID: 1111294749

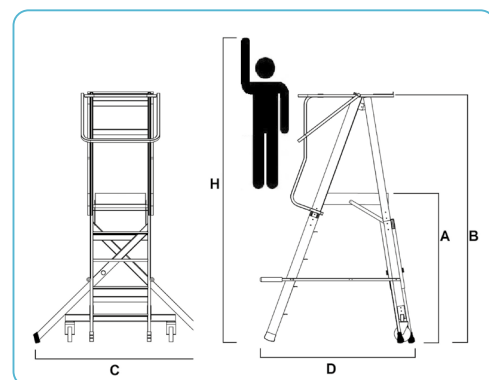


Platform ladder:

Aluminium ladder with high stability, obtained thanks to different systems of stabilisation according to the ladder height.

Features:

- 84x25 mm front side rail profile
- 67x25 mm rear side rail profile
- Step 130 mm deep, coupled, expanded and edged into the side rails
- Lifting handles
- Ladder width 500 mm
- 2 wheels, diameter: 150 mm
- 600x180 mm object tray
- Platform floor in non-slip extruded profile, 600x450 mm
- 2 lifting handles in the front section
- Integrated rear spreader for 3 to 5 rung ladders
- Telescopic diagonal stabilisers in addition to an integrated rear spreader for 6 to 9 rung ladders
- Side stabiliser system as well as an integrated rear spreader for 10 to 15 rung ladders
- Inclination at 70°
- **CERTIFIED BY TÜV Rheinland**





- **Rear spreader**
- For 3 to 5 rung ladders



- **Telescopic diagonal stabilisers**
- For 6 to 9 rung ladders



- **Platform floor in non-slip extruded profile, 600x450 mm**



- **Side stabilisers**
- **CODE: A19LSTAB**
- ✓ **Price each: € 51.50**
- For 10 to 15 rung ladders



- **Optional wheel lifting Kit**
- **CODE: A19KITSO**
- ✓ **Price: € 174.50**



- **Optional guardrail**
- **CODE: A19LPAR**
- ✓ **Price: € 145.50**

CODE	A(m)	B(m)	H(m)	C(m)	D(m)	N. Gr. *	Weight kg	PRICES
A19L175	0,75	1,75	2,75	1,05	1,07	3	24	€ 959,00
A19L200	1,00	2,00	3,00	1,05	1,2	4	26	€ 1.046,00
A19L225	1,25	2,25	3,25	2,5	1,33	5	28	€ 1.118,50
A19L250	1,50	2,50	3,50	2,5	1,46	6	30	€ 1.206,00
A19L275	1,75	2,75	3,75	2,5	1,59	7	32	€ 1.292,50
A19L300	2,00	3,00	4,00	2,5	1,72	8	34	€ 1.452,00
A19L325	2,25	3,25	4,25	2,5	1,85	9	36	€ 1.539,50
A19L350	2,50	3,50	4,50	3,11	1,98	10	38	€ 1.612,50
A19L375	2,75	3,75	4,75	3,11	2,11	11	40	€ 1.699,00
A19L400	3,00	4,00	5,00	3,11	2,24	12	42	€ 1.801,00
A19L425	3,25	4,25	5,25	3,11	2,37	13	44	€ 1.873,50
A19L450	3,50	4,50	5,50	3,11	2,5	14	46	€ 1.960,50
A19L475	3,75	4,75	5,75	3,11	2,63	15	48	€ 2.091,50

*The number of steps includes the platform

✓ **On request, assembled ladder € 102.00**

ALUMINIUM LADDER

STANDARD CLASSIC



€80,00
On request only for Leg. Decree 81/2008

COMPLIANT WITH LEG. DECREE 81/2008 Art. 113

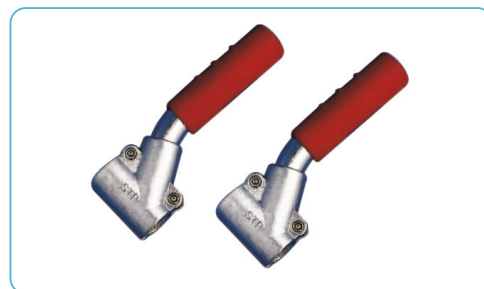


Platform ladder:

Fixed aluminium ladder assembled by hand with cast joints that make it possible to replace them.

Features:

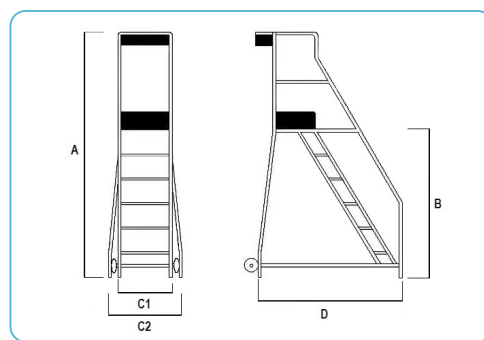
- 30 mm support tube
- 200 mm non-slip flat steps
- 250 mm spacing
- 2 x 150 mm wheels at the rear for easy handling
- ABS platform floor, 570x400 mm, with 150 mm toeboard
- Guardrail 1.00 m
- Tool tray 480x190 mm, ABS
- Load bearing capacity 150 kg
- **Compliant with Leg. Decree 81/2008**



- **Moving handles (on request)**
- **CODE: A19MAN**
- ✓ **Price each: € 44.00**

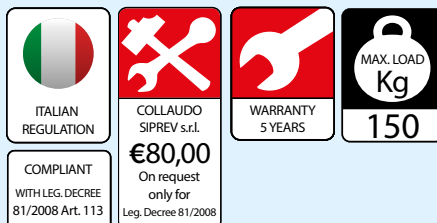


- **4 retractable pivoting wheels**
- **CODE: MR100S**
- ✓ **Total price: € 174.50**



CODE	A(m)	B(m)	C1(m)	C2(m)	D(m)	N. Gr.*	Kg	M ³	PRICES
A19SCAF100	2,00	1,00	0,55	0,71	1,13	4	19,10	1,60	€ 1.117,50
A19SCAF125	2,25	1,25	0,55	0,73	1,28	5	20,50	2,10	€ 1.206,00
A19SCAF150	2,50	1,50	0,55	0,75	1,47	6	23,10	2,76	€ 1.236,50
A19SCAF175	2,75	1,75	0,55	0,77	1,60	7	26,00	3,39	€ 1.484,50
A19SCAF200	3,00	2,00	0,55	0,79	1,78	8	29,60	4,22	€ 1.564,50
A19SCAF225	3,25	2,25	0,55	0,81	1,90	9	32,00	5,00	€ 1.611,00
A19SCAF250	3,50	2,50	0,55	0,83	2,06	10	34,40	5,98	€ 1.626,50
A19SCAF275	3,75	2,75	0,55	0,85	2,20	11	36,40	7,01	€ 1.655,50
A19SCAF300	4,00	3,00	0,55	0,92	2,35	12	39,00	8,65	€ 1.844,50
A19SCAF325	4,25	3,25	0,55	0,94	2,50	13	42,50	9,99	€ 1.951,00
A19SCAF350	4,50	3,50	0,55	0,96	2,65	14	46,60	11,45	€ 2.055,00
A19SCAF375	4,75	3,75	0,55	0,98	2,80	15	50,00	13,03	€ 2.594,00
A19SCAF400	5,00	4,00	0,55	1,00	2,83	16	52,00	14,15	€ 2.627,50

*The number of steps includes the platform



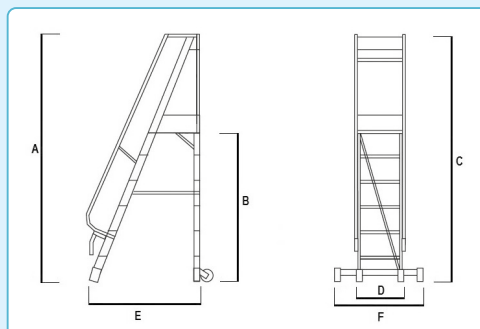
KOMPASSO CLASSIC

Platform ladder:

Folding aluminium ladder with a small footprint for transport and storage.

Features:

- 84x25 mm rectangular side rails
- 67X25 mm rear structural uprights
- 200 mm non-slip flat steps
- 250 mm spacing
- Telescopic spreaders at the rear with side reinforcement from 3.00 m
- Up to 2.75 m closed, 0.70 m open 1.08 m
- From 3.00 m closed to 1.10 m open 1.40 m
- 2 x 150 mm wheels for easy handling
- Platform floor in non-slip extruded profile, 600x465 mm
- 1.00 m guardrail
- 150 mm toeboard
- ABS tool tray 480x190 mm
- 25X25mm square tube folding
- Folding handles
- Anti-opening/closing device
- Size for transport: m 0.28x0.60xC
- Load bearing capacity 150 kg
- **Compliant with Leg. Decree 81/2008**



- **Anti-opening-closing device**



- **Closed ladder**

CODE	A(m)	B(m)	C(m)	D(m)	E(m)	F (min)	F(max)	N. Gr.*	Kg	M ³	PRICES
A19SCAF100PI	2,00	1,00	2,33	0,55	1,59	0,72	1,08	4	25,00	0,64	€ 1.037,50
A19SCAF125PI	2,25	1,25	2,62	0,55	1,74	0,72	1,08	5	27,50	0,71	€ 1.069,50
A19SCAF150PI	2,50	1,50	2,91	0,55	1,89	0,72	1,08	6	28,50	0,78	€ 1.124,50
A19SCAF175PI	2,75	1,75	3,20	0,55	2,04	0,72	1,08	7	32,00	0,86	€ 1.215,50
A19SCAF200PI	3,00	2,00	3,49	0,55	2,19	1,01	1,40	8	34,50	0,93	€ 1.233,50
A19SCAF225PI	3,25	2,25	3,78	0,55	2,34	1,01	1,40	9	38,50	1,01	€ 1.305,00
A19SCAF250PI	3,50	2,50	4,07	0,55	2,49	1,01	1,40	10	40,00	1,08	€ 1.335,00
A19SCAF275PI	3,75	2,75	4,36	0,55	2,64	1,01	1,40	11	42,50	1,16	€ 1.370,50
A19SCAF300PI	4,00	3,00	4,65	0,55	2,79	1,01	1,40	12	46,00	1,23	€ 1.413,50
A19SCAF325PI	4,25	3,25	4,94	0,55	2,94	1,01	1,40	13	48,00	1,30	€ 1.577,50
A19SCAF350PI	4,50	3,50	5,23	0,55	3,09	1,01	1,40	14	54,00	1,39	€ 1.609,50
A19SCAF375PI	4,75	3,75	5,52	0,55	3,24	1,01	1,40	15	56,00	1,45	€ 1.752,00
A19SCAF400PI	5,00	4,00	5,81	0,55	3,39	1,01	1,40	16	62,50	1,53	€ 1.786,50

*The number of steps includes the platform

KOMPASSO ECO



€80,00
On request
only for
Leg. Decree 81/2008

COMPLIANT
WITH LEG. DECREE
81/2008 Art. 113



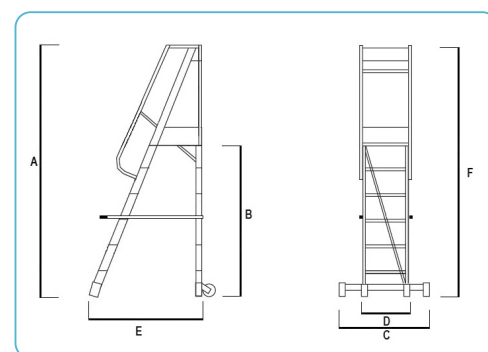
• Wheeled stabiliser bar

Platform ladder:

Folding aluminium ladder with a small footprint for transport and storage.

Features:

- 84x25 mm rectangular side rails
- 67X25 mm rear structural upright
- 130 mm non-slip flat steps
- 250 mm spacing
- Telescopic spreaders at the rear.
- Up to 2.75 m closed 0.69 m - open 1.08 m
- From m 3.00 closed m 1.02 - open 1.40
- Removable stabiliser bar with 2 x 150 mm wheels for easy handling
- Platform floor in non-slip extruded profile, 600x465 mm
- 1.00 m guardrail
- 150 mm toeboard
- ABS tool tray 480x190 mm
- Moving handles
- Anti-opening/closing device
- Dimensions for transport: m 0.53x0.61XF
- Load bearing capacity 150 kg
- **Compliant with Leg. Decree 81/2008**



CODE	A(m)	B(m)	C(m)	D(m)	E(m)	F(m)	N. Gr.*	Kg	M ³	PRICES
A19ECOPI100	2,00	1,00	0,87	0,55	1,59	2,16	4	23,50	0,76	€ 871,50
A19ECOPI125	2,25	1,25	0,87	0,55	1,74	2,44	5	24,00	0,84	€ 915,50
A19ECOPI150	2,50	1,50	0,98	0,55	1,89	2,70	6	25,00	0,92	€ 1.016,50
A19ECOPI175	2,75	1,75	0,98	0,55	2,04	3,07	7	29,50	0,99	€ 1.082,00
A19ECOPI200	3,00	2,00	0,98	0,55	2,19	3,23	8	30,00	1,07	€ 1.104,00
A19ECOPI225	3,25	2,25	0,98	0,55	2,34	3,49	9	31,50	1,15	€ 1.157,00
A19ECOPI250	3,50	2,50	0,98	0,55	2,49	3,76	10	35,00	1,22	€ 1.189,00
A19ECOPI275	3,75	2,75	0,98	0,55	2,64	4,02	11	38,50	1,30	€ 1.203,00
A19ECOPI300	4,00	3,00	0,98	0,55	2,79	4,29	12	42,00	1,38	€ 1.252,00

*The number of steps includes the platform

ITALIAN
REGULATIONWARRANTY
5 YEARSMAX. LOAD
Kg
150COMPLIANT
WITH LEG. DECREE
81/2008 Art. 113**Ideal:**

Ideal for logistics and transport for truck access.

Ideal is an all-aluminium ladder.

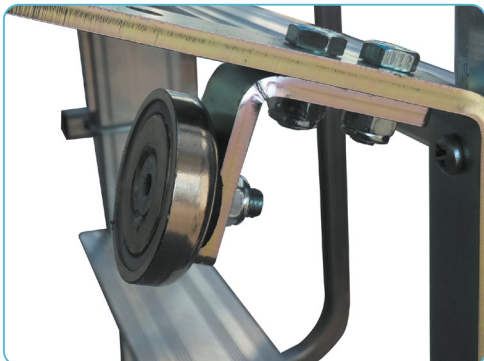
Very lightweight, it is easy to transport and install.

It is available in the 4-5-6 rung version, height varies as needed.

Thanks to 2 special magnets with a hold of 90 kg each placed at the rear, fastening and installation are very fast.

Features:

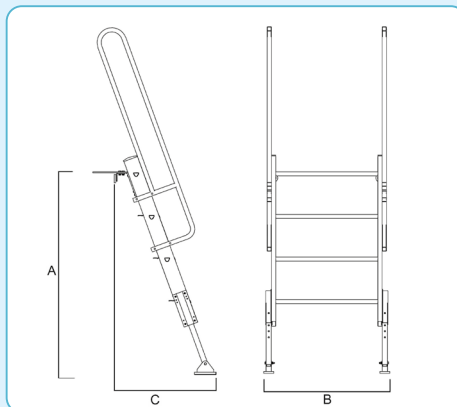
- Ladder width 600 mm
- Step depth 130 mm
- Maximum width with feet 740 mm
- 2 magnets with a capacity of 90 kg each.
- 2 telescopic adjustable feet at the base
- Load bearing capacity 150 kg
- **Compliant with Leg. Decree 81/2008**



- **Magnet with a capacity of 90 Kg each**



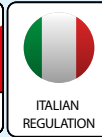
- **Adjustable foot**

**Optional: pair of handrails**

■ **CODE: A02CO**
 ✓ **Price: € 145.50**

CODE	A (m)		B (m)	C (m)	N. Gr.	Kg	M ³	PRICES
	Minimum	Maximum						
A02CT4	1,03	1,18	0,74	0,60	4	10,60	0,21	€ 885,00
A02CT5	1,28	1,43	0,74	0,69	5	13,60	0,25	€ 937,00
A02CT6	1,53	1,68	0,74	0,78	6	16,60	0,31	€ 991,00

TROLLEYS IN ALUMINIUM



COMPLIANT
WITH LEG. DECREE
81/2008 Art. 113



Aluminium trolleys:

Aluminium trolleys on wheels,
260x85 mm tyres



- Barrel trolley
up to 120 kg
■ CODE: A52CARBO



- Trolley for crates
and boxes up to 120 kg
■ CODE: A52CAR2



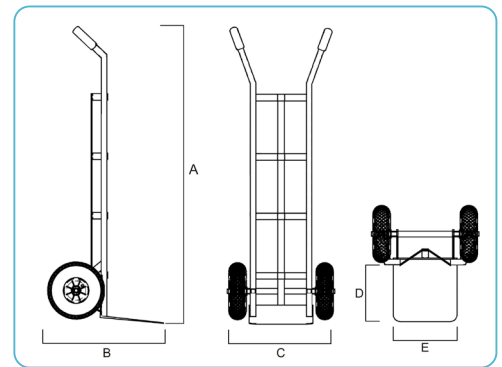
- Trolley for crates
and boxes up to 200 kg
■ CODE: A52CAR3



- Trolley for bags,
bins and cylinders
up to 200 kg
■ CODE: A52CARQ



- 3-wheel trolley
up to 120 kg
■ CODE: A52CAR4

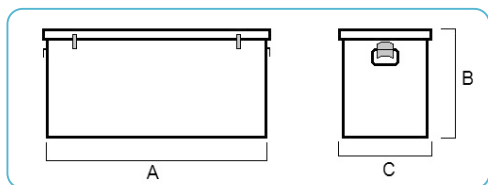


CODE	Wheel type	TROLLEY DIMENSIONS				FOOTBOARD DIMENSIONS		Weight kg	PRICE
		A	B	C	M ³	D	E		
A52CAR2	Pneumatic	1,13	0,58	0,45	0,29	0,19	0,31	6,76	€ 140,50
A52CAR2R	full								€ 172,50
A52CAR3	Pneumatic	1,19	0,61	0,45	0,33	0,18	0,45	8,00	€ 173,50
A52CAR3R	full								€ 205,50
A52CARQ	Pneumatic	1,30	0,50	0,45	0,29	0,26	0,40	9,30	€ 304,50
A52CARQR	full								€ 334,50
A52CARBO	Pneumatic	1,31	0,51	0,49	0,33	0,28	0,29	7,86	€ 181,50
A52CARBOR	full								€ 214,00
A52CAR4	Pneumatic	1,11	0,64	0,50	0,36	0,28	0,37	11,52	€ 305,50

R = On request puncture-proof wheels, made of polyurethane 265x75 mm



• Lock detail



Aluminium trunks

Light, waterproof, impact resistant and stackable. Built and welded for liquids (up to handle height) with embossed sheet metal of 2 mm aluminium plus almond pattern. With two locks and two handles to make it easier for transport.

- **CODE: BAU50**
- With attachments for forklift forks



CODE	A (m)	B (m)	C (m)	M ³	Kg.	PRICE
BAU30	0,82	0,33	0,30	0,08	8,70	€ 348,00
BAU40	1,22	0,43	0,40	0,21	15,40	€ 519,00
BAU50	1,42	0,53	0,50	0,38	24,00	€ 776,50

COVER BOXES



Cover boxes, aluminium inspection doors, powder painted or with PVC film, for: roller shutters/electrical panels/meters etc....

Pre-painted or powder-coated aluminium sheets resistant to cutting, bending and crushing.

Quote on request



SECURITY BASKET



COMPLIANT
WITH LEG. DECREE
81/2008 Art. 113



People basket:

It is a people-carrying basket that can be used occasionally by machines with forks for lifting material that have characteristics suitable for coupling with the basket.

The structure is made of aluminium alloy with completely non-slip walking surface and protective mesh in expanded polyethylene.

The rear part has no structural purpose but only to protect against the risk of falls and to prevent the operator from putting his hands in the forklift truck.

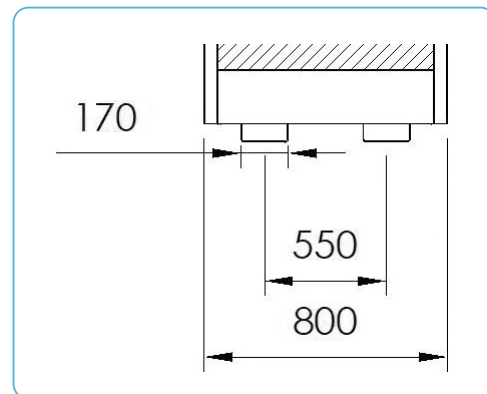
Divided into two easily removable coupling parts that transform the basket into a cube to facilitate transport.

Features:

- Sideboard height 1.10 m
- Robust safety rings at the rear
- Anchorage points for harness (not supplied)
- Chain with carabiner for safety fastening
- Engraving with the manufacturer's and the basket data directly on the profile
- 30x30 square tubular profile
- Overall dimensions 860x860x2130 mm
- Weight 23 Kg
- Platform floor 800x800 mm
- Max. load-bearing capacity 200 Kg
- User and Maintenance Manual

Reference standards:

- **Leg. Decree 81/2008 Consolidated Safety Act**
- **Section 3.1.4 Annexe VI**



■ **CODE: SECURRS**
✓ **Price: € 1,058.00**