

WAREHOUSE LADDER



Specifications:

PORTABLE WAREHOUSE LADDER

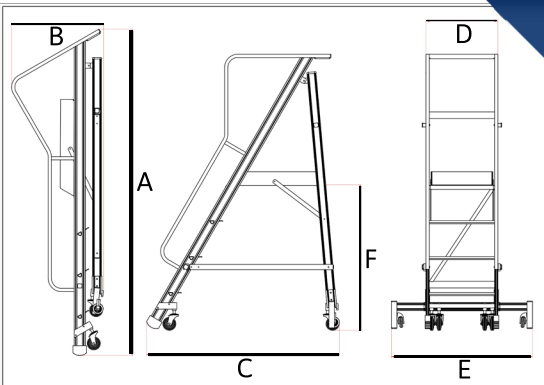
Folding aluminium platform ladder designed for reduced overall dimensions during transport and storage.

Easy to handle during use and relocation thanks to the swivel castors.

Large platform size 750 x 600 mm in anti-slip embossed sheet metal, complete with toe boards.

Technical Specifications:

- Inclination: 60°
- Flat steps with 130 mm anti-slip surface
- Aluminium tool tray
- 4 swivel castors
- Adjustable telescopic stabiliser
- Complete with ergonomic handrails



CODICE	A(m)	B(m)	C(m)	D(m)	E(m)*	F(m)	Kg	N.Gr.*
A19EN110	2,49	0,70	1,46	0,60	1,08	1,10	22,95	4
A19EN160	3,07	0,67	1,79	0,60	1,08	1,60	26,20	6

*Min. 0.72 – Max. 1.08

*The total number of steps includes the platform